

**VON DUPRIN®**

# Electric strikes

**Safety, performance and quality  
you can trust**

At critical moments of life safety, Von Duprin® gives you the confidence of knowing that the products you count on will perform.

Von Duprin electric strikes have been designed and tested to the highest standards in the industry to provide the assurance of quality and reliability. You can turn to Von Duprin for expertise and service at any time before, during or after installation. We offer a full line of electric strikes to accommodate a wide range of door preps and locking hardware. Whether you're deploying the electric strike in a standalone setting or as part of a comprehensive access control system, Von Duprin electric strikes are an ideal solution. Our broad portfolio provides coverage for virtually any application. Including all-in-one strikes for retrofit applications that have many field configurable options. As well as, electric strikes with a wide range of factory configurable options for new construction and specialized applications.

## 4200 Series

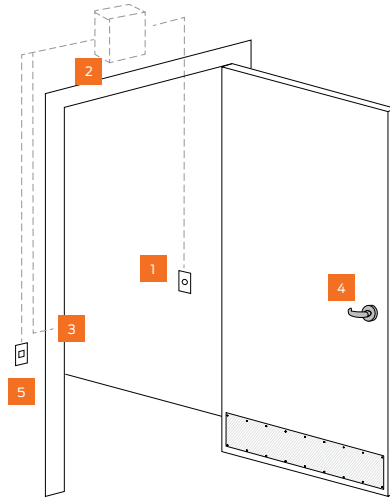


**Traffic control**, up to 500,000 cycles, 1000 lbs. static strength

**Affordable** option for commercial applications

**Field configure** power failure mode without disassembling the strike

**Cylindrical** lockset applications



Ideal for interior applications such as a doctors office entrances that require visitor management and traffic control.

- 1 Schlage KP2000E standalone keypad
- 2 Von Duprin PS902 power supply
- 3 Von Duprin 4211 electric strike
- 4 Schlage® AL Series lock
- 5 Schlage 621 pushbutton

## 5100 Series

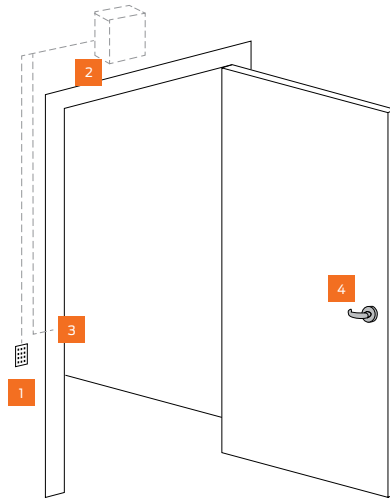


**Medium duty**, up to 1,000,000 cycles, 1300 lbs static strength

**Three faceplates standard** accommodates more applications

**Multiple finish options**

**Cylindrical** lockset applications



Simple and cost effect way to add standalone access control to perimeter openings such as employee entrances.

- 1 Schlage KP212 standalone keypad
- 2 Von Duprin PS902 power supply
- 3 Von Duprin 5100 electric strike
- 4 Schlage ND Series lock

Series	Lockset (latchbolt throw)				Types of doors		Dimensions	
	Cylindrical	Mortise	Mortise deadbolt	Exit	Single	Pair	Face plate length	Backbox depth
<b>4200 Series</b>	4211: up to 3/4" 4212: up to 5/8"	-	-	-	■	-	4 7/8"	1 3/8"
<b>5100 Series</b>	up to 5/8"	-	-	-	■	-	-	-
<b>6300 Series</b>	-	-	-	Rim exit, up to 3/4"	■	Pair with mullion	9"	Surface mounted - 3/4" projection
<b>6400 Series</b>	up to 3/4"	up to 3/4"	-	Mortise exit, up to 3/4"	■	-	4 7/8"	1 5/8"

## 6300 Series

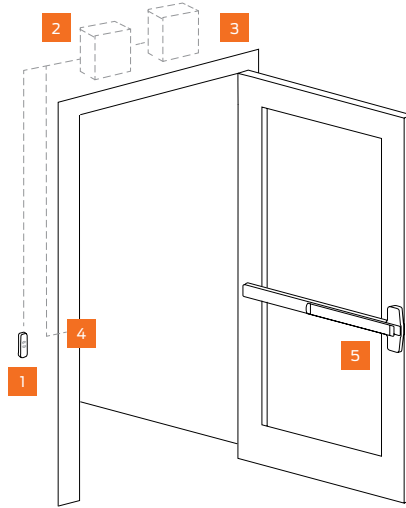


**Heavy duty**, up to 1,000,000 cycles, 1300 lbs. static strength

**Surface mounted**, quick and easy installation

**Fire rated**, fail secure

**Rim** exit device applications



Surface mounted strike for challenging applications such as aluminum storefronts.

- 1 aptiQ™ SM10 smart card reader
- 2 Schlage CT5000 offline controller
- 3 Von Duprin PS902 power supply
- 4 Von Duprin 6300 electric strike
- 5 Von Duprin 98 Series exit device

## 6400 Series

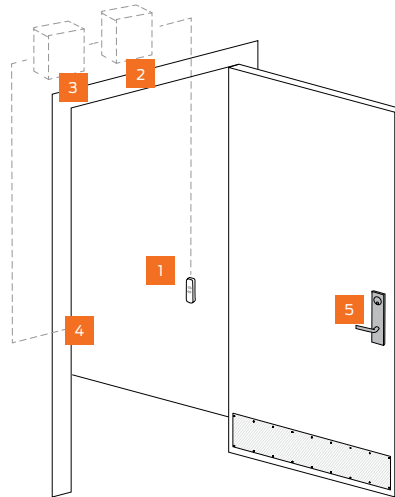


**Heavy duty**, up to 1,000,000 cycles, 1300 lbs. static strength

**Modular design** adjusts to centerline of many MS/MD locks

**Fire rated**, fail secure

**Mortise or cylindrical** lockset applications



Designed for high security applications such the electrical room of a small business.

- 1 aptiQ SM10 smart card reader
- 2 Schlage CT5000 offline controller
- 3 Von Duprin PS902 power supply
- 4 Von Duprin 6400 electric strike
- 5 Schlage L9000 mortise lock

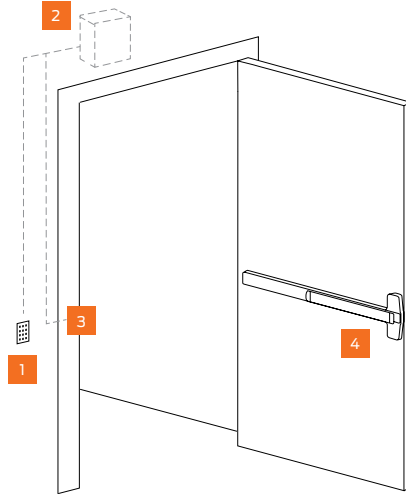
Door and frame material			Codes	Power requirements		Additional options			Series
Hollow metal	Wood	Aluminum	Fire rated	AC	DC	Latchbolt monitor	Rectifier kit	Entry buzzer	
■	■	-	-	-	12/24	4211: N/A 4212: Standard	Optional	Optional (Fail-secure only)	<b>4200 Series</b>
■	■	■	-	-	12/24	-	Optional	-	<b>5100 Series</b>
■	■	■	-	-	12/24	-	Optional	Optional	<b>6300 Series</b>
■	■	■	■	12 to 24	12/24	Optional	-	-	<b>6400 Series</b>

The 6100 Series and 6200 Series have a many different models to accommodate virtually any application and type of lockset. Please see the data sheet to make the proper selection.

6100 Series



**Heavy duty**, up to 1,000,000 cycles, 1300 lbs. static strength  
**Broad application coverage** with a variety of factory orderable options  
**Rim** exit device applications



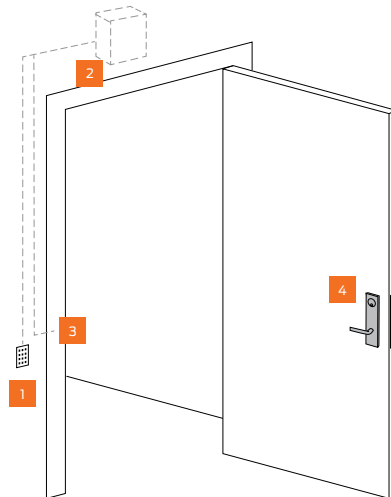
Ideal for high abuse applications such as perimeter entrances and exits where secure access control is required.

- 1 Schlage KP232 standalone keypad
- 2 Von Duprin PS902-FA power supply
- 3 Von Duprin 6100 Series electric strike
- 4 Von Duprin 98 Series exit device

6200 Series



**Heavy duty**, up to 1,000,000 cycles, 1300 lbs. static strength  
**Broad application coverage** with a variety of factory orderable options  
**Mortise or cylindrical** lockset applications



Heavy duty product designed for high security applications such as laboratories or records offices.

- 1 Schlage KP212 standalone keypad
- 2 Von Duprin PS902-FA power supply
- 3 Von Duprin 6200 Series electric strike
- 4 Schlage L9000 mortise lock

Allegion, the Allegion logo, aptiQ, Schlage, and Von Duprin are trademarks of Allegion plc, its subsidiaries and/or affiliates in the United States and other countries. All other trademarks are the property of their respective owners.

About Allegion

Allegion (NYSE: ALLE) creates peace of mind by pioneering safety and security. As a \$2 billion provider of security solutions for homes and businesses, Allegion employs more than 8,000 people and sells products in more than 120 countries across the world. Allegion comprises 27 global brands, including strategic brands CISA®, Interflex®, LCN®, Schlage® and Von Duprin®. For more, visit [www.allegion.com](http://www.allegion.com).